



SPECIFICATIONS

8 INCH SELF PRIMING

Premier Pump Model P3WSP8A-4045TF285-120 Engine Driven, Heavy Duty Solids Handling Pump

Pump Specifications:

- Pump size: 8"X 8" flange to flange
- Pump Casing: Ductile Iron
- Operating pressure: Maximum 120 psi (797 kPa)
- Impeller: Open type, two vane, cast steel. Passes 3" solids
- Impeller Shaft: Stainless steel No. 17-4PH
- Wear Plate: Replaceable, Hardened Carbon Steel no. 1015
- Cover Plate: Removable/adjustable ductile iron 30
- Flap valve: Neoprene with steel reinforcing ring
- Bearing housing: Ductile Iron
- Seal Plate: Ductile Iron
- Shaft Sleeve: 17-4PH stainless steel
- Radial Bearing: Open single ball
- Thrust Bearing: Open double ball
- Bearing/Seal Cavity Lubrication: SAE No. 30 oil
- Flanges: 125# Ductile iron ANSI
- Gaskets: Buna-N, compressed synthetic fibers, vegetable fiber, PTFE, cork, and rubber
- O-Rings: Buna-N
- Hardware: Plated steel/grade 8/SST
- Pressure release valve: Brass

Optional Equipment and Materials: Hi-Chrome, CD4MCu. Automatic air release valve, 120V/240V casing heater. High pump temperature shutdown kit, moisture probe, gauge kit, Other elastomers available.

Engine Specification:

- Model: John Deere model 4045TF285
- 99 intermittent horsepower @ 2400 RPM
- Four cylinder, four cycle, water cooled diesel engine
- Governor: Mechanical
- Lubrication: Force Feed
- Air Cleaner: Filter element
- Fuel Tank: 120 US gallons
- Run time: Full load (1800 RPM) ~ 24 hours
- Starter: 12 volt electric

Standard features: Safety shutdown switches for low oil pressure and high temperature. Instrument panel with temperature and oil pressure gauge, ampmeter, hourmeter and tachometer. Muffler with rain cap. Engine to pump coupling: SAE4 housing with 10" rubber disc drive.

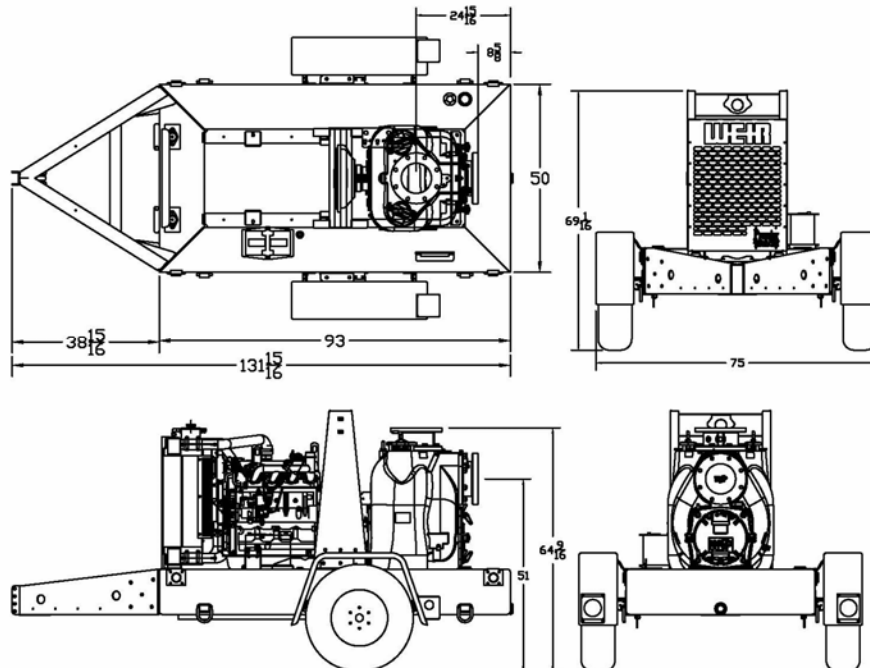
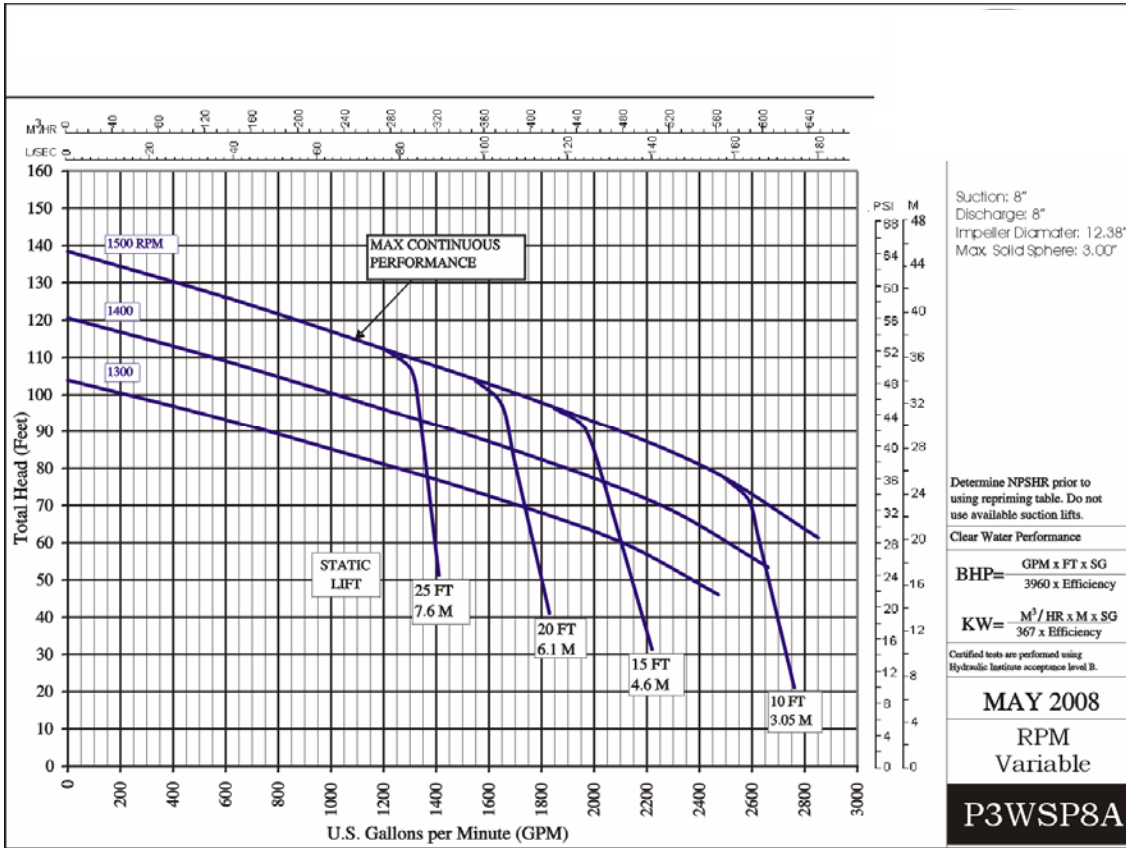


Pictured: P3WSP6A-4045TF280-T60

Standard Skid: Heavy duty fabricated steel frame. Integral fuel tank, lifting bilet, lockable fuel tank, and one 1½" clean-out/drain plug

Standard Trailer: Heavy duty fabricated steel frame, integral fuel tank, fenders, lifting bail, lockable fuel cap, 5200# Anti-torsional axle, two (2) front adjustable leveling jacks and two (2) rear adjustable leveling jacks, one 1½" clean-out plug, fuel gauge, adjustable height tongue with easy conversion from ball hitch to Lunette eye

Trailer Options: DOT light package, work lights, special tires & wheels, dual axles, diamond plate fenders, surge brakes, lockable enclosed instrument panel, lockable enclosed engine housing, storage box, hose rack and more





JOHN DEERE

ENGINE PERFORMANCE CURVE

Rating: Gross Power
 Application: Industrial - Heavy Duty
 Power Bulge - 0%
 Torque Rise - 20%

PowerTech E™ 4.5 L Engine

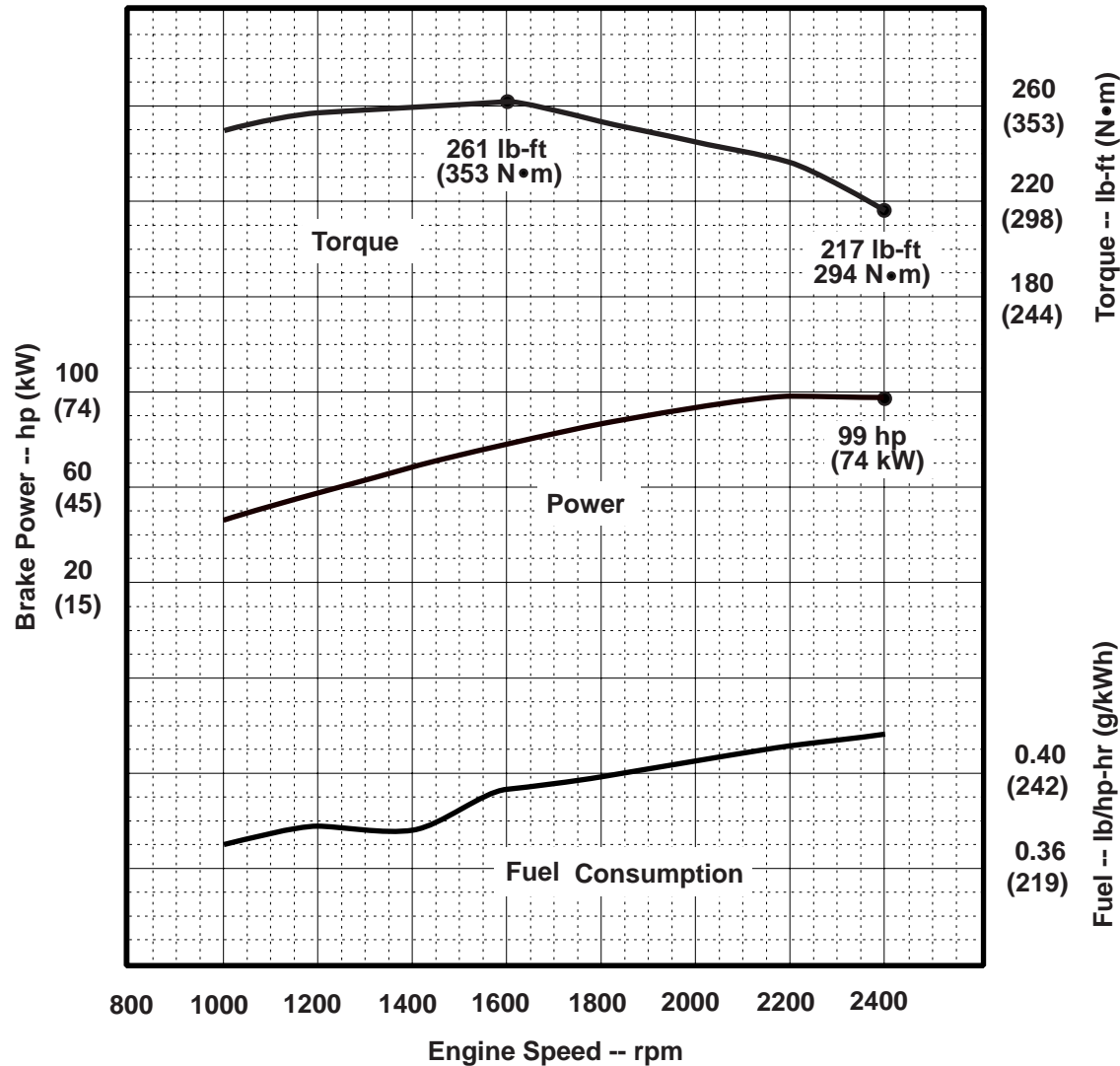
Model: **4045TF285**

JD Electronic Control

99 hp @ 2400 rpm

74 kW @ 2400 rpm

[See Option Code Table]



STANDARD CONDITIONS

Air Intake Restriction 12 in.H₂O (3 kPa)
 Exhaust Back Pressure 30 in.H₂O (7.5 kPa)

Gross power guaranteed within + or - 5% at SAE J1995 and ISO 3046 conditions:
 77 °F (25 °C) air inlet temperature
 29.31 in.Hg (99 kPa) barometer
 104 °F (40 °C) fuel inlet temperature
 0.853 fuel specific gravity @ 60 °F (15.5 °C)

Conversion factors:
 Power: kW = hp x 0.746
 Fuel: 1 gal = 7.1 lb, 1 L = 0.85 kg
 Torque: N•m = lb-ft x 1.356

All values are from currently available data and are subject to change without notice.

Notes:

Tier-3 Emission Certifications:	Certified by:
CARB; EPA; EU Ref: Engine Emission Label	<i>Vincent Penner</i> 6 June '07

* Revised Data
 Curve: 4045TF28599_2400_0_20..... Sheet 1 of 2
 June 2007

Engine Installation Criteria

General Data

Model4045TF285
 Number of Cylinders 4
 Bore and Stroke--in. (mm)..... 4.19 (106) x 5.00 (127)
 Displacement--in.³ (L)275 (4.5)
 Compression Ratio 19.0 : 1
 Valves per Cylinder--Intake/Exhaust 1 / 1
 Firing Order 1-3-4-2
 Combustion System Unit Injection
 Engine Type In-line, 4-Cycle
 Aspiration Turbocharged
 Charge Air Cooling System None
 Engine Crankcase Vent System Open

Physical Data (Estimated)

Length--in. (mm)34.1 (867)
 Width--in. (mm)26.8 (680)
 Height--in. (mm)41.5 (1055)
 Weight, dry--lb (kg) 1083 (491)
 (Includes flywheel housing, flywheel & electrics)
 Center of Gravity Location (Estimated based on Tier 2)
 From Rear Face of Block(X-axis)--in.(mm).....9.8 (249)
 Right of Crankshaft (Y-axis)--in. (mm).....2.2 (55)
 Above Crankshaft (Z-axis)--in. (mm)5.7 (145)
 Max. Allowable Static Bending Moment at Rear Face of
 Flywhl Hsg w/ 5-G Load--lb-ft (N•m)600 (814)
 Thrust Bearing Load Limit --lb (N) Forward Rearward
 Intermittent899 (4000)450 (2000)
 Continuous495 (2200)225 (1000)
 Max. Front of Crank. Torsional Vibration--DDA 0.25
 Max. Continuous Damper Temp--°F (°C) 180 (82)

Air System

Maximum Allowable Temp Rise--Ambient Air to
 Engine Inlet--°F (°C) 15 (8)
 Maximum Air Intake Restriction:
 Dirty Air Cleaner--in. H₂O (kPa).....25 (6.25)
 Clean Air Cleaner--in. H₂O (kPa)..... 15 (3.75)
 Engine Air Flow--ft³/min (m³/min)238 (6.7)
 Intake Manifold Pressure--psi (kPa) 10 (70.1)
 Air Cleaner Efficiency--% 99.9

Cooling System

Engine Heat Rejection--BTU/min (kW) 2840 (50)
 Coolant Flow--gal/min (L/min)..... 59 (222)
 Thermostat Start to Open--°F (°C) 180 (82)
 Thermostat Fully Open--°F (°C) 203 (95)
 Engine Coolant Capacity--qt (L) 9.0 (8.5)
 Minimum Pressure Cap--psi (kPa) 14.5 (100)
 Maximum Top Tank Temp--°F (°C) 230 (110)
 Minimum Coolant Fill Rate--gal/min (L/min) 3 (11)
 Minimum Air-to-Boil Temperature--°F (°C) 117 (47)
 Minimum Pump Inlet Pressure--psi (kPa) 4.4 (30)

Electrical System

12 Volt 24 Volt
 Min. Battery Capacity (CCA)--amp 800 570
 Max. Allow. Starting Circuit Resist.--Ohm 0.0012 0.002
 Starter Rolling Current
 At 32 °F (0 °C)--amp 920 600
 At -22 °F (-30 °C)--amp 1300 700
 Min. Voltage at ECU during Cranking--volts 6 10
 Max. ECU Temperature--°F (°C) 221 (105)
 Max. VTG Elec. Actuator Surface Temp.--°F (°C) 221 (105)
 Max. Harness Temperature--°F (°C) 248 (120)

Exhaust System

Exhaust Flow--ft³/min (m³/min) 663 (18.8)
 Exhaust Temperature--°F (°C) 1085 (585)
 Max. Exhaust Restriction--in. H₂O (kPa) 30 (7.5)
 Min. Exhaust Restriction--in. H₂O (kPa) None
 Max. Bend. Moment on Turbo Out.--lb-ft (N•m) 5.2 (7)
 Max. Shear on Turbo Outlet--lb (kg) 24 (11)

Fuel System

ECU Description L16 Controller
 Fuel Injection Pump Denso HP3
 Governor Type Electronic
 Total Fuel Flow--lb/hr (kg/hr) 99 (45.0)
 Fuel Consumption--lb/hr (kg/hr) 41 (18.8)
 Max. Fuel Inlet Temperature--°F (°C) 176 (80)
 Fuel Temp. Rise, Inlet to Return--°F (°C) 83.3 (46)
 Max. Fuel Inlet Restriction--in. H₂O (kPa) 80 (20)
 Max. Fuel Inlet Pressure--in. H₂O (kPa) NA (NA)
 Max. Fuel Return Pressure--in. H₂O (kPa) 80 (20)

Lubrication System

Oil Pressure at Rated Speed--psi (kPa) 58 (400)
 Min. Allowed Oil Pressure--psi (kPa) 15 (105)
 Max. Oil Carryover in Blow-by--lb/hr (g/hr) 0.002 (1.0)
 Max. Airflow in Blow-by--gal/min (l/min) 26 (100)
 Max. Crankcase Pressure--in. H₂O (kPa) 2 (0.5)

Performance Data

Rated Power--hp (kW) 99 (74)
 Rated Speed--rpm 2400
 Breakaway Speed--rpm 2470
 Fast Idle Speed--rpm 2600
 Peak Torque--lb-ft (N•m) 261 (353)
 Peak Torque Speed--rpm 1600
 Minimum Low Idle Speed--rpm 800
 BMEP--psi (kPa) 119 (822)
 Friction Power @ Rated Speed--hp (kW) 17 (13)
 Altitude Capability--ft (m) 10,000 (3050)
 Ratio--Air : Fuel 24.4 : 1
 Smoke @ Rated Speed--Bosch No. <1.3
 Noise--dB(A) @ 1 m 90.3
 Power Bulge--% 0
 Power Bulge Speed--rpm NA
 Torque Rise--% 20

Engine Speed rpm	Power hp (kW)	Torque lb-ft (N•m)	BSFC lb/hp-hr (g/kWh)
2400	99 (74)	217 (294)	0.418 (254)
2200	99 (74)	237 (321)	0.411 (250)
2000	93 (69)	244 (331)	0.405 (247)
1800	87 (65)	253 (343)	0.399 (243)
1600	79 (59)	261 (353)	0.392 (239)
1400	69 (51)	259 (351)	0.378 (230)
1200	59 (44)	258 (350)	0.379 (231)
1000	48 (35)	250 (338)	0.370 (226)

All values at rated speed and power with standard options unless otherwise noted.

* Revised Data
 Curve: 4045TF28599_2400_0_20 Sheet 2 of 2
 June 2007